



DIGITAL EVIDENCE RECORDER™



- Hard disk recording 24hrs per day for 31 days or more
- Networked system expandable to hundreds of cameras
- 16 Data recording channels and 1 audio channel
- Flexible, easy to program schedules for time lapse & event recording
- Variable recording rates with integrated VMD and 16 alarm inputs
- Programmable sequence and spot monitor outputs
- Integrated telemetry with optional keyboard/joystick control

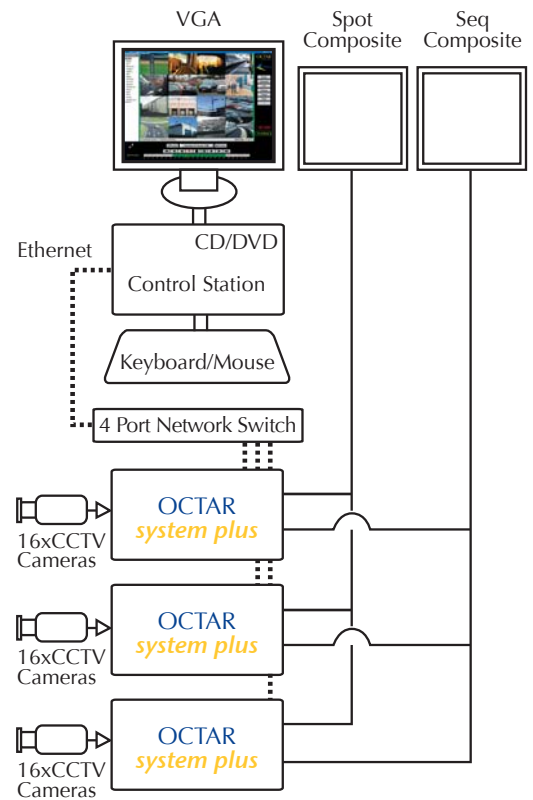
OCTAR System Plus is the custom-configurable version of the Visimetrics family of digital evidence recorders which feature large storage capacity, system flexibility, data recording and almost limitless expandability through seamless networked integration.

System Plus has 16 video inputs, can be specified with or without an internal CD/DVD Writer and between 400GB and 3,200GB of hard disk capacity. Integrated video motion detection, independent recording rates per camera, external alarm inputs and flexible recording schedules provide all the tools for intelligent use of storage capacity, allowing higher frame rates at critical times or in response to alarms.

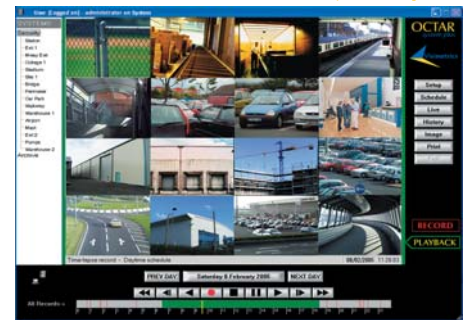
16 Data recording channels provide a powerful tool for synchronously recording information from various data sources such as Access Control, PoS or ANPR systems. Video playback can be based on text searches, providing instant access to particular transactions or events. The switched video outputs allow spot or programmable sequence monitoring of any camera, even from multiple recorders.

Comprehensive security features include multi-level user log-on, file encoding, and a detailed protected system audit trail for robust evidential integrity and Data Protection Act compliance. Important recordings can be archived locally, across the network, or permanently onto CD or DVD. The software to playback the recordings is automatically copied onto the disk every time along with the all-important audit trail. All this results in an optimal system for CCTV evidence recording, but OCTAR's most powerful feature is how simple it is to use.

<b>Product Range</b>	OCTAR System plus is supplied as a 16-channel desktop or rack mount unit. Hard disk capacities up to 3.2Tb are available. Supplied with or without CD/DVD Writer.
<b>Recording Rates</b>	Independent, variable recording rates per input up to 25 ips for four cameras. Up to 5 ips per camera for 16 cameras.
<b>Resolution</b>	Selectable : 384 x 288, 768 x 288 (default), 768 x 576 pixels.
<b>Compression Format</b>	JPEG with adjustable quality factor.
<b>Storage Format</b>	Various Hard Disk Capacities from 400Gb to several Terabytes.
<b>Video Input</b>	16 x BNC inputs with loop through automatic termination.
<b>Video Output</b>	VGA Monitor output. Composite (BNC) Spot Monitor i/o and Sequence Monitor i/o.
<b>Audio Input</b>	1 x Mini Jack (mono).
<b>Audio Output</b>	1 x Mini Jack.
<b>Data Recording</b>	Up to 16 independent data channels may be recorded through serial ports or network links. Examples: Access Control, ANPR, EPOS, Bar Codes and Alarm data. Recorded data is synchronised with video and audio and is searchable for event retrieval and playback. Text overlay display may be toggled on/off during record or playback.
<b>Alarm Input/Output</b>	Screw terminal. 16 alarm inputs; 4 alarm relay outputs (video loss, VMD active, schedule switch, system status).
<b>Network Port</b>	100baseT Ethernet link on RJ45 socket. Remote Access via ADSL.
<b>Serial Ports</b>	2 x RS232. 9 pin D type.
<b>Video Motion Detection</b>	Integrated high performance VMD with zone-masking.
<b>Recording Scheduling</b>	Programmable continuous and event recording according to time and weekday. Combined VMD/Timelapse mode.
<b>Telemetry Support</b>	Co-ax and RS 485. Various industry standard protocols supported. Optional Joystick/Keyboard.
<b>Image Export</b>	Optional CD/DVD RW. Transfer of required Replay Software during disk creation for third party review by PC. Supports transfer to USB devices including Memory Stick and Portable Hard Disk.
<b>Display Outputs</b>	VGA monitor output. Composite Spot Monitor and Sequence output.
<b>Screen Display</b>	1 to 16 cameras, with multi-camera playback, full-screen pull-up, text overlay option and live viewing.
<b>Other Features</b>	Full operator log and evidential audit trail. Automatic restart after power fail. Hardware watchdog. Printer connection allows printing of images to standard PC printers. Remote access and live viewing via Control Station or Control software.
<b>Mains Power Input</b>	200-240V ac 50Hz. 200W typical.
<b>Operating Conditions</b>	5 to 35 °C; 5% to 85% relative humidity.
<b>Dimensions</b>	W x H x D - 430mm x 175mm x 510mm. With 19" Rack Mount front lugs including handles.



Screenshot of OCTARsystem plus



## DIGITAL EVIDENCE RECORDER™

All Visimetrics DVR products now carry the **DIGITAL EVIDENCE RECORDER™** trademark. These DVRs are designed to record video, audio and data to the highest possible standards for evidential use, including encoding, time/date/serial number stamping, audit trail and easy, yet evidentially robust, data transport. Ask your dealer for our specially printed blank disks for evidential use.



## DIGITAL CCTV SYSTEMS

Visimetrics (UK) Ltd  
Skye House  
Skye Road  
Prestwick  
KA9 2TA

Tel • 01292 673 770

Fax • 01292 677 990

e-mail • sales@visimetrics.com

### Video management rear panel

